

Specification of: DD 12/12 M92E 3F 6P 1V +SCT == 6N0677

High performance centrifugal fan DD

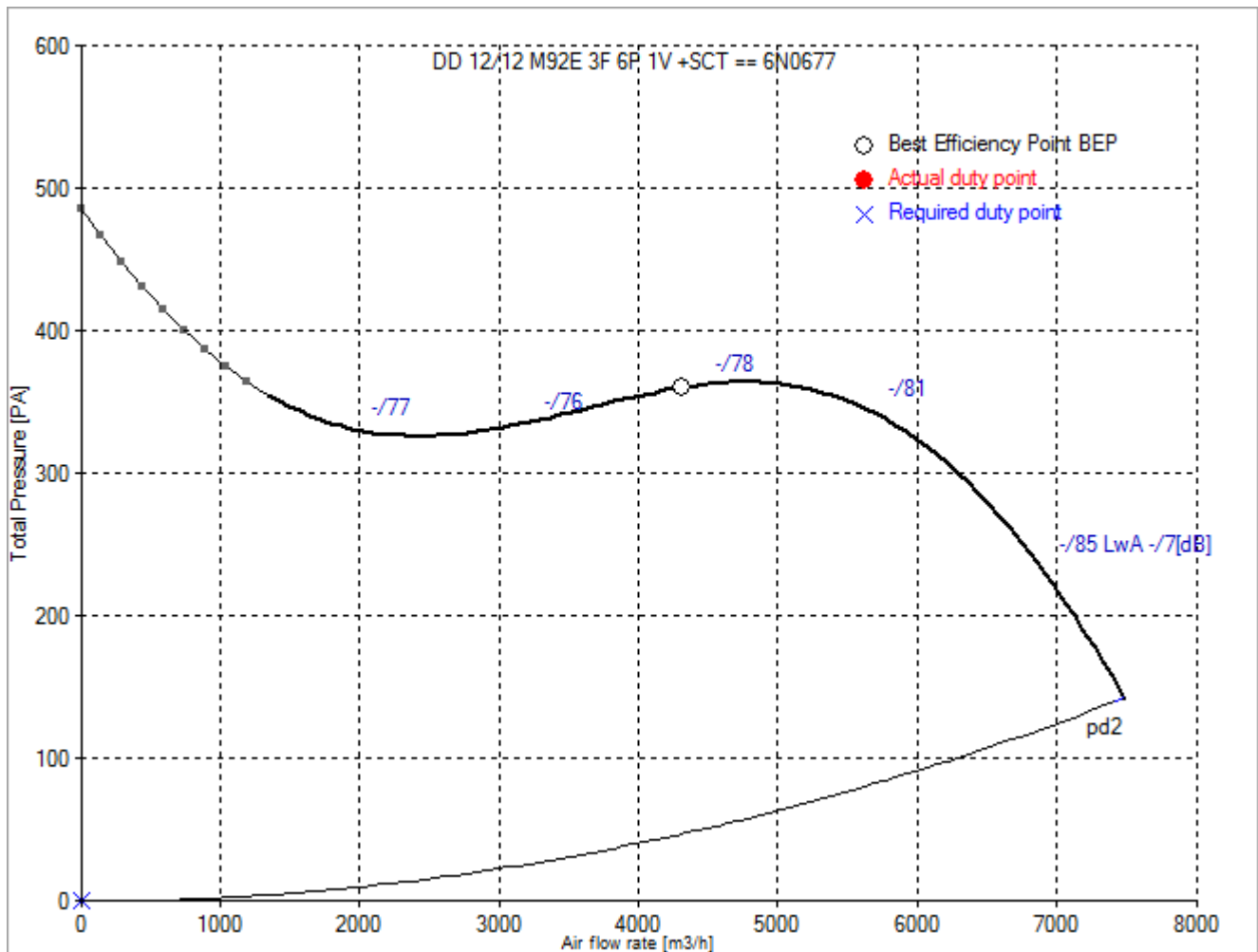
Double width, double inlet (DWDI), direct drive, forward curved blades fan. Lap-jointed scroll made of galvanized steel (EN 10142), assembled through a high-technology roller-locked seaming. Straight cut off plate at fan discharge. Impeller with forward curved blades of galvanised steel plate, directly mounted on a conventional "Internal Rotor" motor for no transmission losses. Closed (IP 44) frame, three-phase, single speed motor, usable at 400 V, 50 Hz or 60 Hz. Built-in thermal protection device available as option. Maintenance free, integral vibration isolators, self aligning ball bearings. Dynamically balanced according to DIN ISO 21940-11. With mounted terminal box. Air performance ratings according to AMCA 210-99 (Fig. 12), UNI 10531 (Fig 30c and par. 29.2 f) and ISO 5801 (Fig. 69 c and par. 30.2 f).

Technical data of the fan: DD 12/12 M92E 3F 6P 1V +SCT == 6N0677

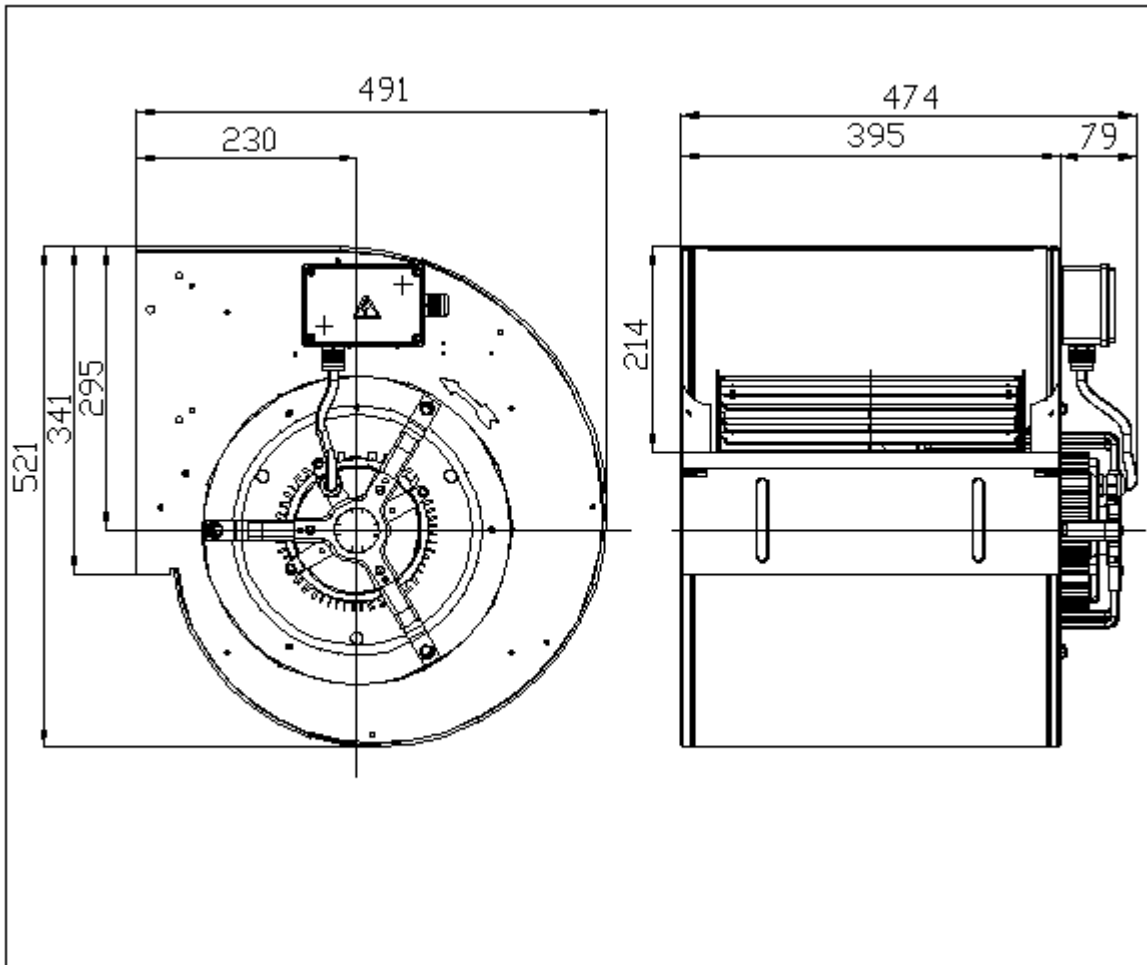
[fulfills the ErP requirements 2015](#)

Description	Value	Dimension
Specified duty point		
Actual duty point		
Installation acc. DIN 24163 Part 1		B
Reference density (Rho1)	1.20	kg/m ³
Medium temperature (t)	20	C
Fan weight	26	kg
Rated data		
Phases-Voltage-Frequency	3~230/400-50	V-Hz
Number of poles:	6	
Motor rating (P _N)	1.3	kW
Rated motor speed (n _N)	870	min ⁻¹
Rated motor current (I _N)	6,0/3.44	A
operational limits		
Max. absorbed power (P _{1max})	2.319	kW
Temperature range of conveying medium (t _{min} ... t _{max})	-20...40	C
ErP-Data at best efficiency and density - kg/m³		
measurement- / efficiency category	B / total	
design status of VSD	without VSD	
overall efficiency (ETA _{opt})	42.8	%
achieved efficiency grade (N _{ist})	49.1	
required efficiency grade in 2013 / 2015 (N)	42 / 49	
Air flow rate (V _{opt})	4307	m ³ /h
pressure rise (dp _{opt})	361	Pa
Fan speed (n _{vopt})	939	min ⁻¹
motor power input (P _{1opt})	1.01	kW
specific ratio (d _{dpopt})	1.004	

Fan curve to DD 12/12 M92E 3F 6P 1V +SCT == 6N0677

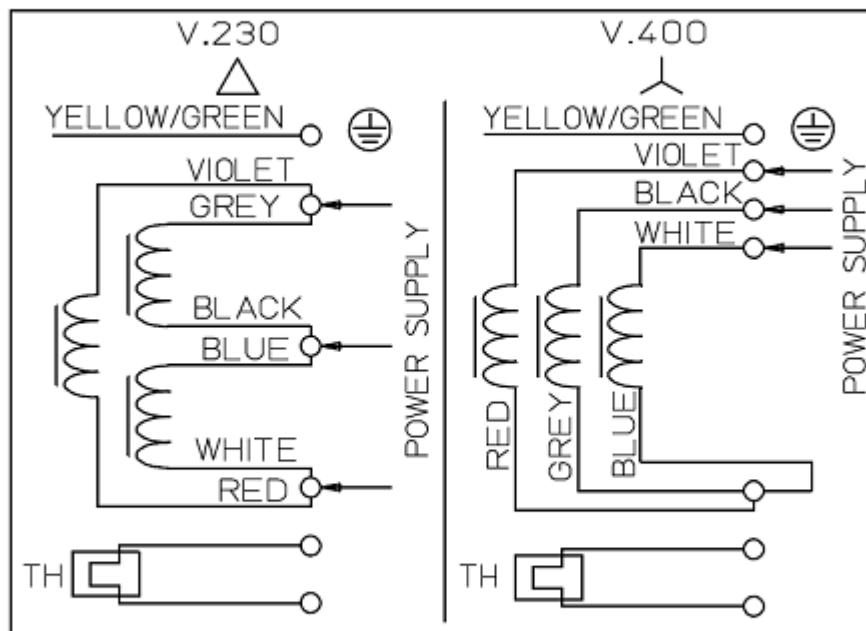


Dimensions to DD 12/12 M92E 3F 6P 1V +SCT == 6N0677



Rotation: RD
Handing: 90

Wiring diagram of the fan DD 12/12 M92E 3F 6P 1V +SCT == 6N0677



24-07-2014 8U

Wiring diagram for connection to: [mains - terminal box - motor](#)
Rotation: [LG](#)